

JUMBO EXTENSION VALVE BOX



Designed to work with our Jumbo Valve Box for mainline or other deeper burial projects. Can also be used alone for shallow burial systems. Engineered to house up to six valves with durable truss design to provide maximum strength.

- T-Top Locking Lid—Makes it quicker to take the lid on and off resulting in faster service times.
- 100% Recyclable—Some models contain pre and post-consumer recycled materials.

FEATURES AND BENEFITS

- T-Top Lid—Extends all the way to the edges of the base, preventing grass and dirt from interfering with the lid to base interface. The solid lid surface with indented finger holes ensures that no water, dirt or sand intrudes through the lid into the valve box.
- Lid Traction Bars—Incorporates textured surface in lid to provide traction and safety.
- Reinforcing Ribs—Utilizes a unique truss design on the underside of the lid to provide maximum support.
- HDPE Structural Foam Process—Derives from a combination of high-density polyethylene material and a proven manufacturing process which ensures maximum strength and durability.
- UV Stabilizers—Incorporates special UV inhibitors to minimize long-term effect of sunlight.
- Rigid Skirt—Extends around the full perimeter of the valve box, including mouse holes, providing maximum top load, side load and torsional rigidity.
- Multiple Color Options—Available in green, green on black, and tan, allowing you to match the box lid to the landscape for optimum aesthetic effect.

SKU	DESCRIPTION
53215	Jumbo ICV Extension Box Black with Green Cover
53915	Jumbo ICV Extension Box Green with Green Cover
53715	Jumbo ICV Extension Box Tan with Tan Cover



JUMBO EXTENSION VALVE BOX



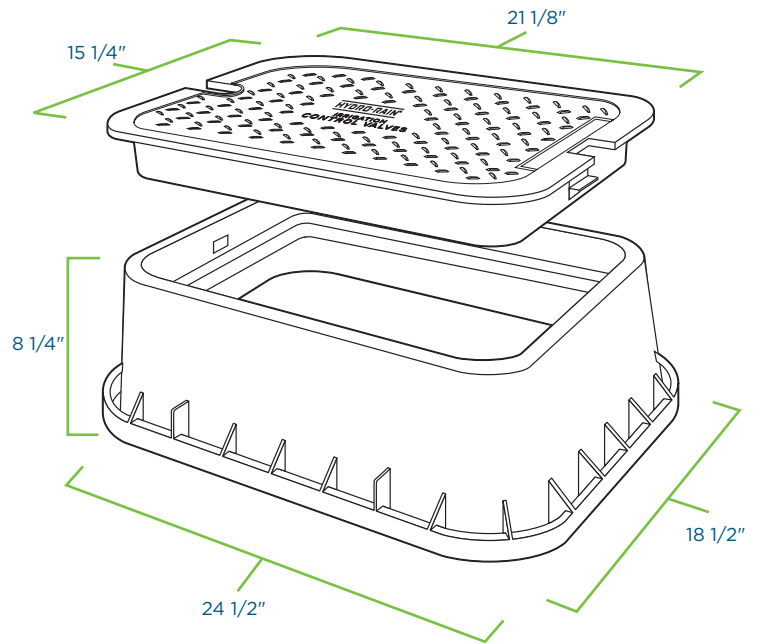
MATERIAL SPECIFICATIONS

*PROPERTIES OF BASE MATERIAL	ASTM TEST METHOD	HDPE
Tensile Strength	D-638	2,700-4,400 psi (Typical Range)
Flexural Modulus	D-790	Min 140,000 not to exceed 240,000 psi
Notched Izod Impact Strength	D-256	0.5-3.0 (Typical Range)
Density	D-792	Min 0.95 not to exceed 0.965
Deflection Temp @ 66psi	D-648	150° to 200° F
Electrical Dielectric Strength	D-149	400-600 V/mil (Typical Range)

MOLDED PRODUCT	ASTM TEST METHOD	HDPE
Chemical Resistance	D-543	Very Resistant
Water Absorption	D-570	≤ 1% weight change
Static Vertical Load Rating	C-857	A-0.3, 300 lb. ft/ft2

*Material specifications subject to change based on availability

JUMBO EXTENSION VALVE BOX



BOX STRENGTH - CRUSH TEST

VALVE BOX BODY LOAD	MAXIMUM LOAD LBS.	DEFLECTION INCHES
1419-12 Standard	28,688	0.390
1419-6X Standard	20,875	0.420

VALVE BOX LID LOAD	MAXIMUM LOAD LBS.	DEFLECTION INCHES
1419-12 Standard	8,450	3.700

VALVE BOX BODY LOAD	MAXIMUM LOAD LBS.	DEFLECTION INCHES
1419-12 Standard	400	2.800
1419-6X Standard	1,250	3.200

Note: Enclosure is for use in non-vehicular traffic applications only. Installation in concrete or asphalt is not recommended. Weights and dimensions may vary slightly.



53215-00 rA